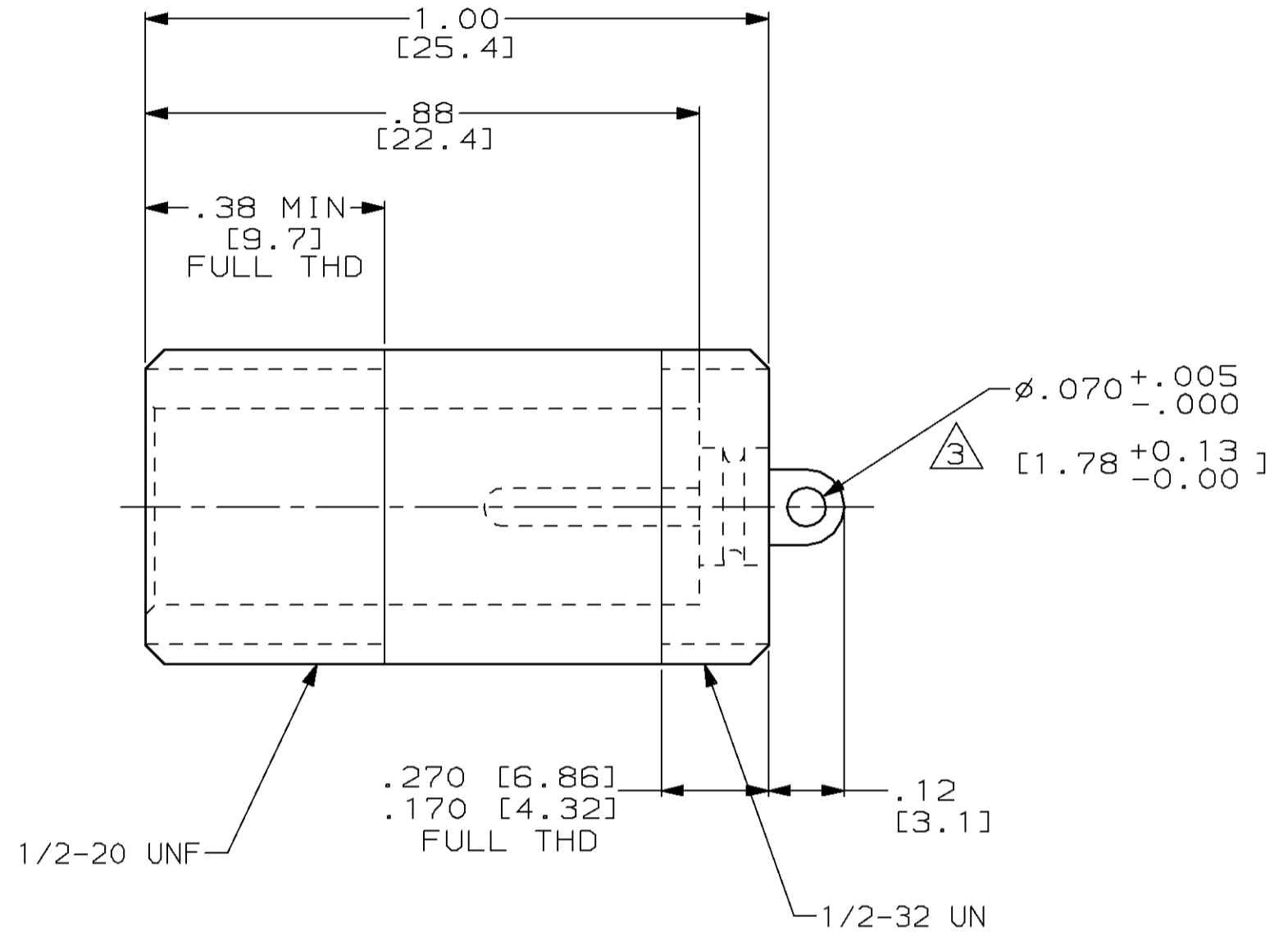
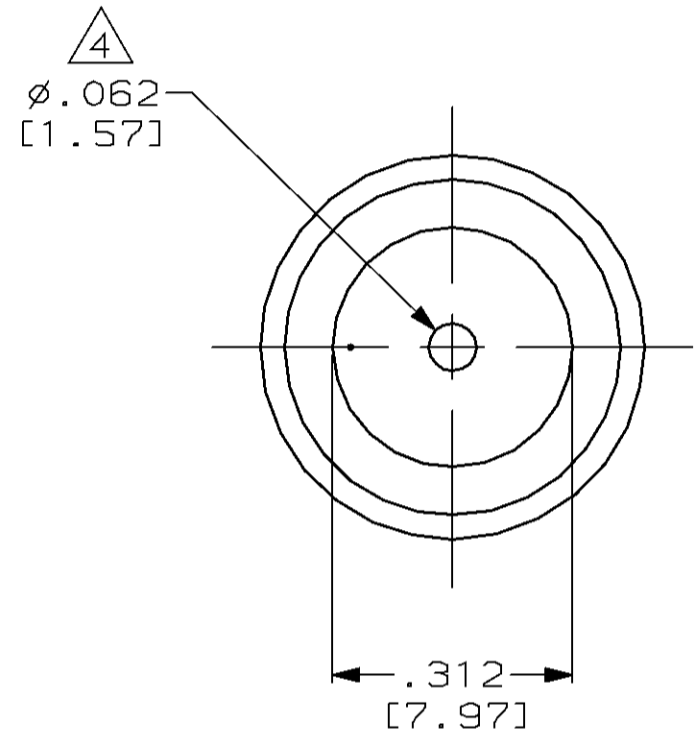


THIS DRAWING IS UNPUBLISHED. RELEASED FOR PUBLICATION  
 BY AMP INCORPORATED. ALL RIGHTS RESERVED.

LOC	DIST	REVISIONS			
P	LTR	DESCRIPTION	DATE	DWN	APVD
DF	SO				
D		REV PER 0600-6006-96	12-96	CT	SG



1. RECEPTACLE TO MATE WITH AMP LGH-1 LEAD ASSY.
  2. SPECIAL GROUP "A" TESTING:
    1. VISUAL & MECHANICAL
    2. INSULATION RESISTANCE: 5000 MEGOHM MIN
- $\triangle 3$  EYELET IS SOLDER COATED WITH 63/37 SOLDER.  
 $\triangle 4$  PIN CONTACT PLATED WITH GOLD PER MIL-G-45204.

868092-1  
 PART NO.

<small>THIS DRAWING IS A CONTROLLED DOCUMENT FOR AMP INCORPORATED. IT IS SUBJECT TO CHANGE AND THE CONTROLLING ENGINEERING ORGANIZATION SHOULD BE CONTACTED FOR THE LATEST REVISION.</small>		DWN C.C. THOMAS 6-23-96	<b>AMP</b> AMP Incorporated Harrisburg, PA 17105-3608
DIMENSIONS: INCHES [mm]		CHK S. GLATFELTER 7-8-96	
		APVD S. GLATFELTER 7-8-96	NAME RECEPTACLE, LGH-1
TOLERANCES UNLESS OTHERWISE SPECIFIED: 0 PLC ±- 1 PLC ±- 2 PLC ±.02 [0.5] 3 PLC ±.005 [0.13] 4 PLC ±- ANGLES ±- FINISH -		PRODUCT SPEC -	SIZE A2
MATERIAL GLASS EPOXY		APPLICATION SPEC -	CAGE CODE 00779
		WEIGHT -	DRAWING NO C-868092
		CUSTOMER DRAWING	SCALE 4:1
			SHEET 1 OF 1
			REV D

868092

A